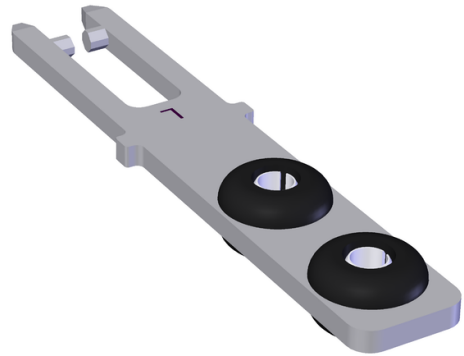


## BETAETIGER-P-GNT (Order no. 074576)

### Actuator for safety switch NP/GP/TP, increased overtravel

- ▶ Actuator made of stainless steel
- ▶ Two stainless-steel safety screws per actuator
- ▶ Actuator with rubber bush



### Straight actuator

The straight actuator is used on sliding doors or hinged doors with door radii greater than 1,000 mm. Safety screws prevent unscrewing of the actuators.

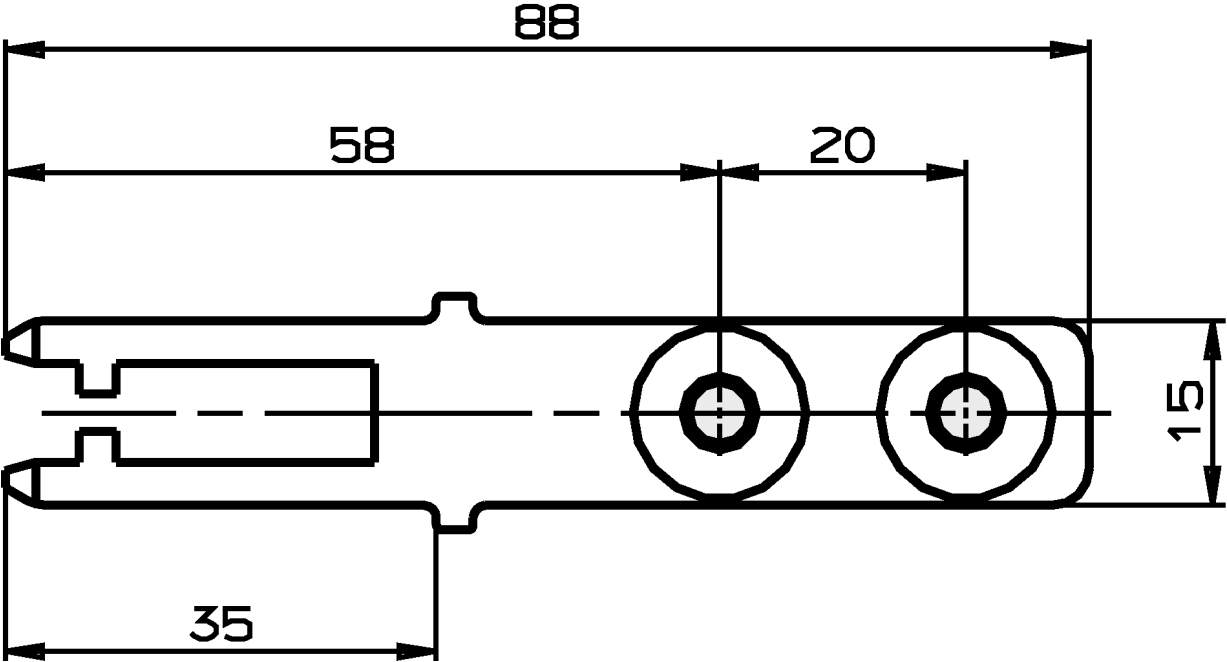
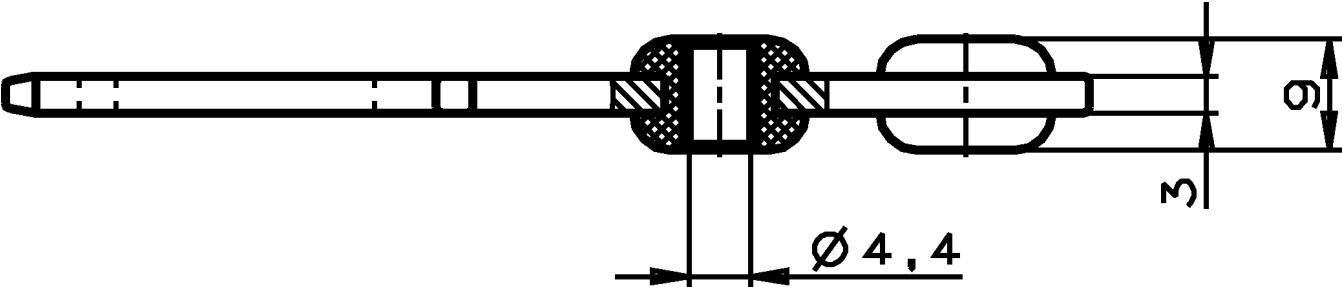
### Actuator with rubber bush

For flexible mounting of the actuator.

### Screws made of stainless steel

The safety screws included can be inserted with a normal tool, but cannot be removed again.

Dimensional drawings



## Technical data

### Mechanical values and environment

Overtravel	max. 7 mm
Door radius	min. 1000 mm
Material	
Actuator	Stainless steel
Rubber bush	NBR
Screw	Stainless steel

### Miscellaneous

Usability of insertion funnel	yes
-------------------------------	-----

## Downloads

All documentation for this material can be found on our website:

<https://www.euchner.de/en-us/a/074576/?#downloads-tab>

**Ordering data**

Ordernumber	074576
Item designation	BETAETIGER-P-GNT
Gross weight	0,031kg
Customs tariff number	85389099990
ECLASS	27-27-26-06 Actuator for safety-related position switch

## Accessories

### Mounting accessories

#### Safety screws M4 x 14

**074063**

M4X14-NIRO/V100

- ▶ Safety screws M4 x 14
- ▶ Screw head diameter: 10 mm
- ▶ Packaging unit 100 pieces

#### Safety screws M4 x 14, large head

**086232**

M4X14-NIRO/V100

- ▶ Safety screws M4 x 14 (large head)
- ▶ Packaging unit 100 pieces